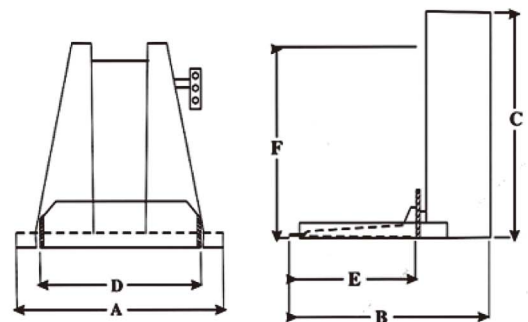


HI-TEC HYDRAULIC FLOOR LIFT



SPECIFICATIONS		L 120
Machine's length	mm/inch	1600/62.99
Machine's width	mm/inch	1190/46.85
Machine's height	mm/inch	1440/56.69
The length of paper-feeding lift	mm/inch	1270/50
The width of paper-feeding lift	mm/inch	840/33.07
The maximum height of paper-feeding lift	mm/inch	1000/39.37
The max loading	kg/lbs	1200/2,640
The total power	KW(HP)	0.75 (1)
Net Weight	kg/lbs	680/1,496
Electrical Supply		As required



★ Technical data subject to change without notice